



24236283

6400

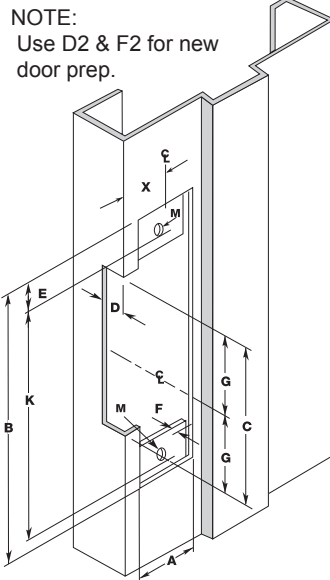
VON DUPRIN®

Frame Preparation

Installation Instructions

1 Frame Prep Dimensions

MEASUREMENT	FRACTIONAL INCHES	DECIMAL INCHES	METRIC mm
A	1-1/4"	1.250	31.75
B	4-7/8"	4.875	123.83
C	3-3/8"	3.375	85.73
D	1-19/32"	1.590	40.40
D2	1-21/32"	1.650	42.00
E	3/8"	0.375	9.53
F	1/8"*	0.125*	3.18*
F2	3/16"*	0.188*	4.78*
G	1-11/16"	1.688	42.86
X	Vertical Centre Line of Door Lock and Mounting Face Plate**		
K	4-1/8"	4.125	104.78
M	12-24	N/A	N/A



Note: Specifications subject to change without notice.

* Dimension F is measured from face of mounting tab to face of frame

** Dimension X on the drawing is determined by the vertical centerline of the door. If the latch incorporates a deadlocking pin, additional steps will be necessary to ensure proper operation of the deadlocking pin. Measure the thickness of the deadlocking pin and add this thickness to dimension X to relocate the vertical centerline an appropriate distance on the frame.

2 Cutting ANSI Prep Frames

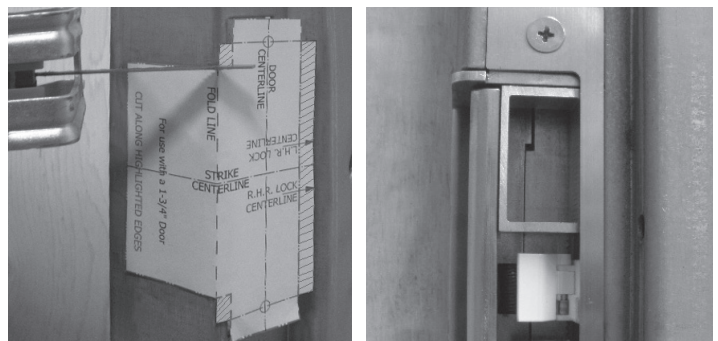
2a Place the folded template square on the frame. Align horizontal holes marked on the template with the mounting holes in the frame



2b Peel adhesive backing and paste the folded template square to the frame



2c Cut the frame inside the unshaded area marked on the template. Install strike per installation instructions 24201428

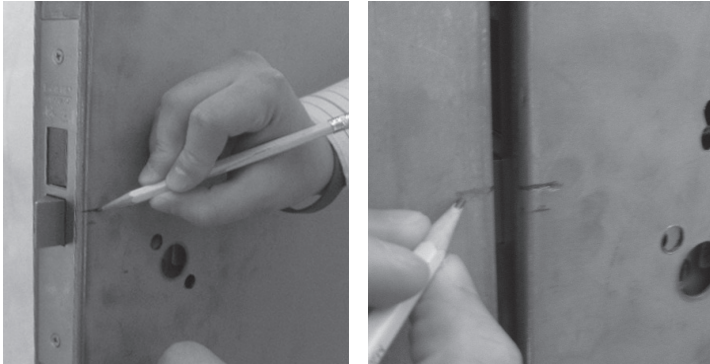


3 Cutting frames WITHOUT ANSI Prep

3a Mark the horizontal lock body centerline on the door.

Close the door and transfer the lock body centerline to the frame

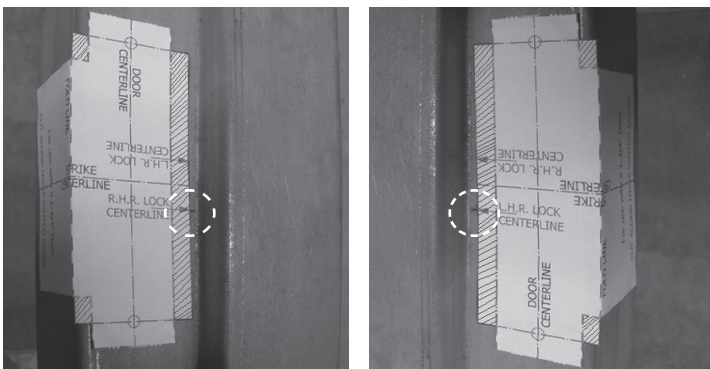
If the door isn't flush to the frame in the closed position, mark the depth of the closed door on the frame. Measure half of the door thickness back toward the door stop and mark the vertical door centerline on the frame.



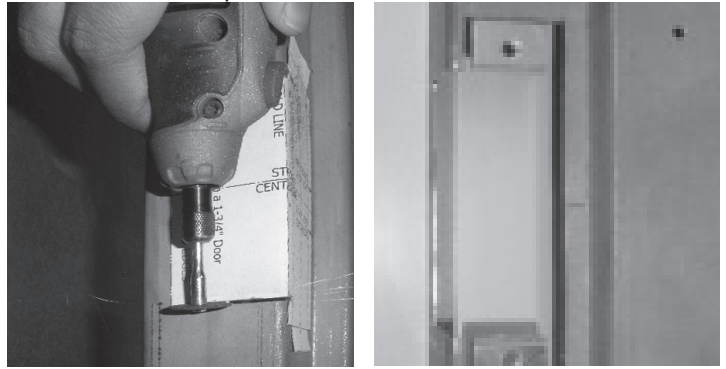
3b Align the proper template lock centerline horizontally with the lock body centerline marked on the frame. Peel the adhesive backing and paste the folded template square to the frame.

If the door isn't flush to the frame when closed, tear the template at the fold line. Align the faceplate portion vertically with the door centerline and match the template lock centerline with the lock body centerline marked on the frame.

Paste the front portion of the template on the face of the frame to align with the faceplate portion.



3c Cut the frame inside the unshaded area marked on the template. Follow mounting tab installation instructions. Install strike per installation instructions 24201428



4 If mounting tabs are required

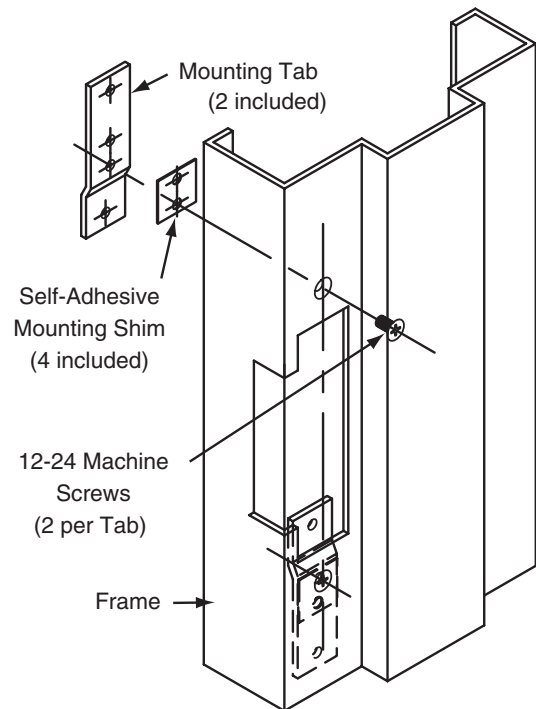
4a Fasten the mounting tab to the faceplate of the strike and select the appropriate shims for the installation

4b Using the assembled strike and tabs as a template, place against the frame and mark the mounting hole locations

Remove and drill a $\frac{3}{16}$ " hole in the frame for each mounting tab and countersink the frame

4c Remove the tabs from the faceplate and install in the frame using the 12-24 x $\frac{3}{8}$ " machine screws supplied

Tabs are pre-drilled and tapped for this purpose



Customer Service

1-877-671-7011

www.allegion.com/us



© Allegion 2014
24236283 Rev. 12/14-c